

FlexPack™ AL Series Wall Pack Luminaire



Jarvis AL Series

Converts between a forward throw and a dark sky wall pack

Can be switched after install between forward throw and dark sky if site requirements change

Sized to cover wall scars left by previous light

Glass lens never yellows

UV-resistant powdercoat finish avoids fading and flaking

Conduit knockouts on all four sides and rear

Competitors' Products

Cannot work as both applications

Cannot be switched - incorrect light fixtures must be replaced

Smaller size leaves wall scars visible

Plastic lens yellows over time

Powdercoat may fade or flake

Fewer conduit entrances limit installation options



One Light Fixture - Multiple Applications



Full Cut-Off Applications:

Baseplate is positioned with large side up. Glass is parallel with the ground.

Light is directed down and forward with zero light emitted above the horizon.

OR



Forward Throw Applications:

Baseplate is positioned with large side down. Glass is tilted back to project light farther forward.

Models and Specifications:

Model #	Description	Input	Power	Lumens	CCT	CRI	PF
AL-100-W-[BRZ,WHT]	FlexPack™ LED Wall Pack	120-277V 50/60Hz	29W	3,182 lm	5000K	≥ 70	≥ 0.9
AL-250-W-[BRZ,WHT]	FlexPack™ LED Wall Pack	120-277V 50/60Hz	56W	6,354 lm	5000K	≥ 70	≥ 0.9
AL-320-W-[BRZ,WHT]	FlexPack™ LED Wall Pack	120-277V 50/60Hz	83W	10,630 lm	5000K	≥ 70	≥ 0.9
AL-400-[BRZ,WHT]	FlexPack™ LED Wall Pack	120-277V 50/60Hz	104W	13,350 lm	5000K	≥ 70	≥ 0.9
AL-250-HV-W-[BRZ,WHT]	High Voltage FlexPack™ LED Wall Pack	347-480V 50/60Hz	54W	7,117 lm	5000K	≥ 70	≥ 0.9
AL-320-HV-W-[BRZ,WHT]	High Voltage FlexPack™ LED Wall Pack	347-480V 50/60Hz	78W	9,956 lm	5000K	≥ 70	≥ 0.9
AL-400-HV-[BRZ,WHT]	High Voltage FlexPack™ LED Wall Pack	347-480V 50/60Hz	103W	13,910 lm	5000K	≥ 70	≥ 0.9



www.jarvislighting.com



(800) 363-1075



Electrical

Input Voltage: 120-277V or 347-480V, 50/60Hz, Class 1 drivers.

Power Factor: >.9 at full load.

Total Harmonic Distortion: <20% full load.

Includes over voltage protection, over current protection, and short circuit protection.

Operating Temperature Range: -40°C to 40° C Ambient (-40°F to 104°F).

Over Temperature Protection: Light fixture automatically reduces power level when operating in higher temperatures to ensure componentry does not overheat. Full power levels are resumed automatically when temperatures return to rated operating range.

Controls and Dimming

0-10V dimming is standard

AL series is compatible with most controls including motion sensors and photosensors. Motion sensors and photosensors can be mounted into knockouts on sides of housing or into baseplate of housing. Contact Jarvis Representative for further information.

Construction and Materials

Die-cast aluminum housing cast from 383 (ADC12) alloy.

Patented design integrates LED optics and fixture mechanicals into a single structure that acts as both the heat sink and the fixture housing, resulting in increased thermal continuity and decreased componentry. Front portion of housing can be installed onto baseplate of fixture in two positions. Housing sections feature cast-in hooks and sections connect via hooks and fasteners. Each cast-in hook functions as a threaded receptacle when mounted in the opposite orientation.

Die-cast housing features a powdercoat finish with UV protection to ensure longevity of color. Powdercoat finish is applied directly to aluminum housing and will not crack or peel. Default color is bronze. White finish is also readily available as a standard color – please indicate at time of order by adding “-WHT” or “White” to the end of the part number. Custom colors are available. Contact factory for additional color information.

LEDs are mechanically fastened directly to die-cast housing. Thermally-conductive ceramic adhesive material is positioned between LEDs and housing to provide increased thermal transfer.

Lens construction is high-clarity tempered glass.

Internal PC reflector with metalized finish projects additional light outwards of the fixture.

Fasteners are stainless-steel and will not rust or create rust-streaks.

Luminaire is manufactured in the US of US and Imported Parts.



Housing-Integrated Versatile Optic System

The AL Series' patented housing design allows for one housing to be installed in two positions. The first option orients the light fixture's glass parallel with the horizon so fixture functions as a full cut-off, fully-shielded wall pack. The second option orients the light fixture's glass so that it is tilted at approximately a 45° angle, allowing the luminaire to function as a true forward-throw wall pack and to illuminate areas far away from the luminaire.

Warranty and Lifetime

AL Series carries a 10-year warranty. Contact Jarvis representative for details.

Projected LED lifetime exceeds 75,000-100,000 hours under most operating conditions. Lifetime projections are calculated using data including LM-79, LM-80 and TM-21 calculations. Contact Jarvis representative for details.

Installation

Luminaire installs onto wall by mounting the luminaire's baseplate to the wall. Wall materials and mounting conditions vary by structure and project – contact factory for suggesting which fasteners are optimal. Baseplate should be mounted with larger side on top to install luminaire in the full cut-off orientation or with the larger side on the bottom to install luminaire in the forward-throw orientation. Electrical connections can be brought into the luminaire either through threaded ½" NPT knock-outs (located on the sides, top and bottom of the fixture's baseplate) or by mounting the luminaire over a recessed junction box. Front section of luminaire contains power supply, LEDs and optics. Front section connects to rear section via cast-in hooks and fasteners. Installation conditions often require sealing of fixture penetrations created during installation.

Contact a Jarvis Representative for full installation instructions, videos or additional information.

Baseplate Mounting Orientation Options



Full Cut-Off Orientation:

Baseplate is positioned with large side up.
Glass is parallel with the ground.
Light is directed down and forward with zero light emitted above the horizon.

Forward Throw Orientation:

Baseplate is positioned with large side down.
Glass is tilted back to project light farther forward.

Regulatory and Voluntary Qualifications

ETL listed to UL1598 and UL8750 for both US and Canada.

American Recovery and Reinvestment Act Funding Compliant.

State of California Title 24 Compliant when installed in accordance with local requirements.

DesignLights Consortium® (DLC) qualified product. Not all versions of this product may be DLC qualified. Please check the DLC Qualified Products List at www.designlights.org/QPL to confirm which versions are qualified.

Rated for Wet and Dry Locations.

Mounting Height Recommendations

Model	Dark-Sky Orientation	Forward-Throw Orientation
AL-100	8 to 12' from ground	10 to 12' from ground
AL-250 & AL-250-HV	8 to 15' from ground	12 to 15' from ground
AL-320 & AL-320-HV	10 to 15' from ground	10 to 15' from ground
AL-400 & AL-400-HV	10 to 20' from ground	12 to 20' from ground

For lower mounting heights, contact Jarvis representative. Typical product recommendation is WPS or JMP Series

Retrofit Applications

The AL Series is designed to easily install when replacing existing HID or other fixtures. Housing is designed to be similar in size to existing medium wall packs so that stained sections of wall are not visible when AL series is installed. Conduit entrance locations on the AL series line up with many common existing wall packs. Contact a Jarvis representative for more info and for advice regarding specific applications.

Flood Light Applications

AL Series can be combined with a slipfitter and be mounted to a round pipe stub, tenon or pole. Contact Jarvis representative for more information.



AL Series with Optional Slipfitter Accessory

Accessories:

Part Number	Description
A299	Button Photocell - 120-277V - Recommended one per light
A300	Button Photocell - 120V - Recommended one per light
A301	Heavy Duty Stem Photocell 120-277V
A303	Heavy Duty Stem Photocell 347V
A304	Heavy Duty Stem Photocell 480V
A1101	Slipfitter Accessory - Bronze
A1102	Slipfitter Accessory - White

Emergency Rated Battery Backup Models

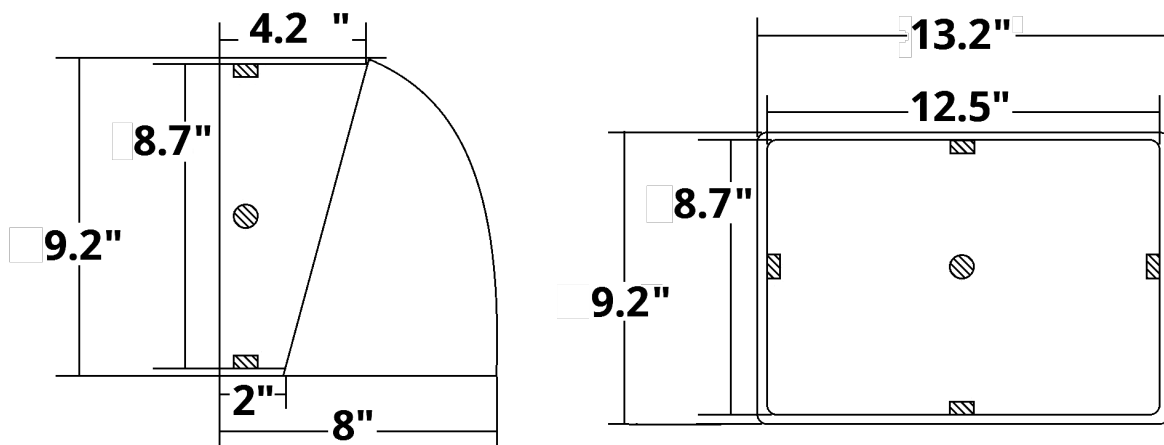
AL Series products do not feature battery backup options, however the related AL-EMER product family utilizes the same housing and does offer an emergency rated battery backup system. Contact Jarvis representative for information regarding the AL-EMER series.

Photometrics

Photometric information, including LM-79 reports and .IES files are available for most models at www.jarvislighting.com.

Site photometrics and lighting layouts are available.

Contact a Jarvis representative.



BRIGHT DONE RIGHT™

